

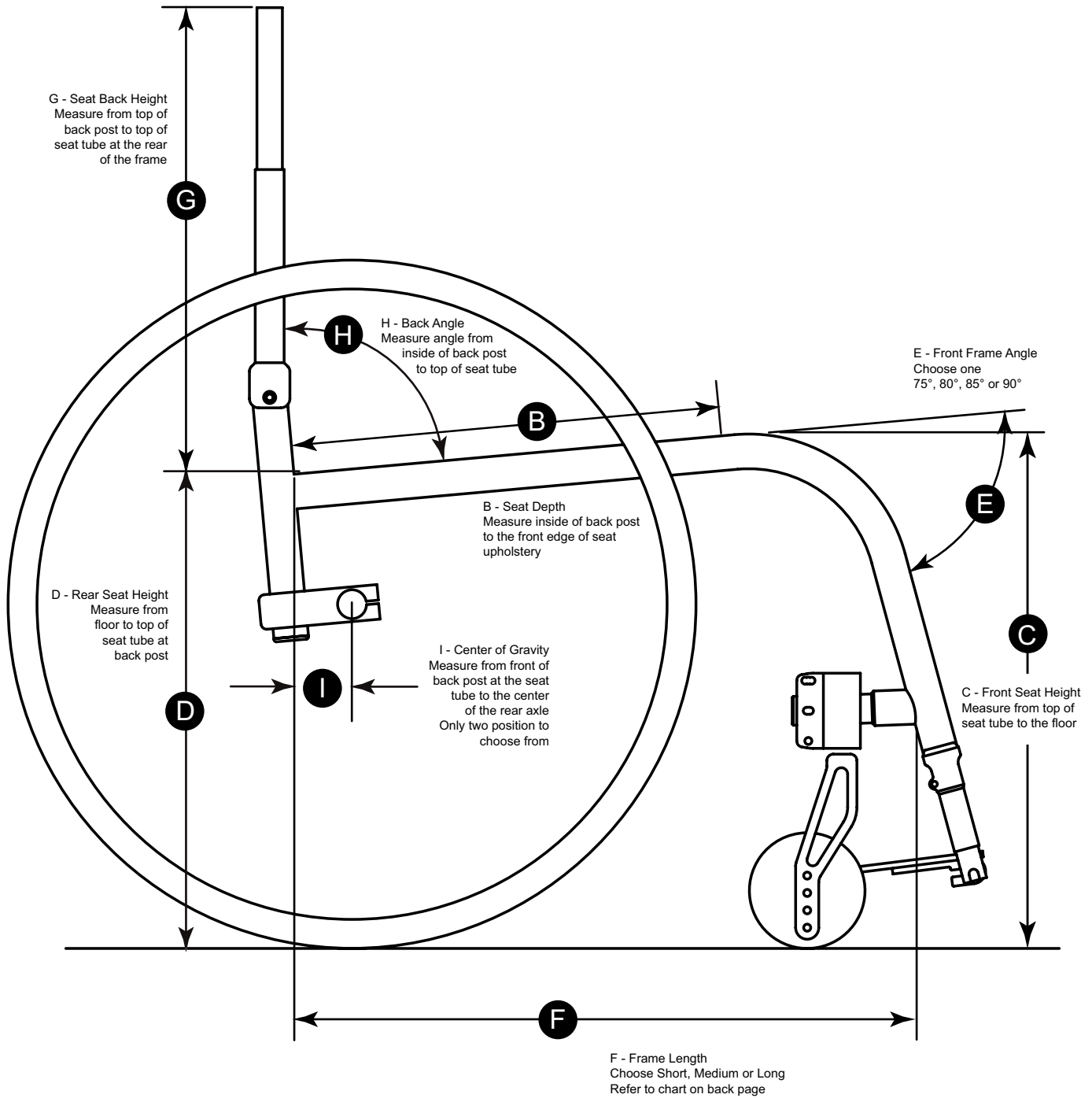
Order Form Measurement Guide

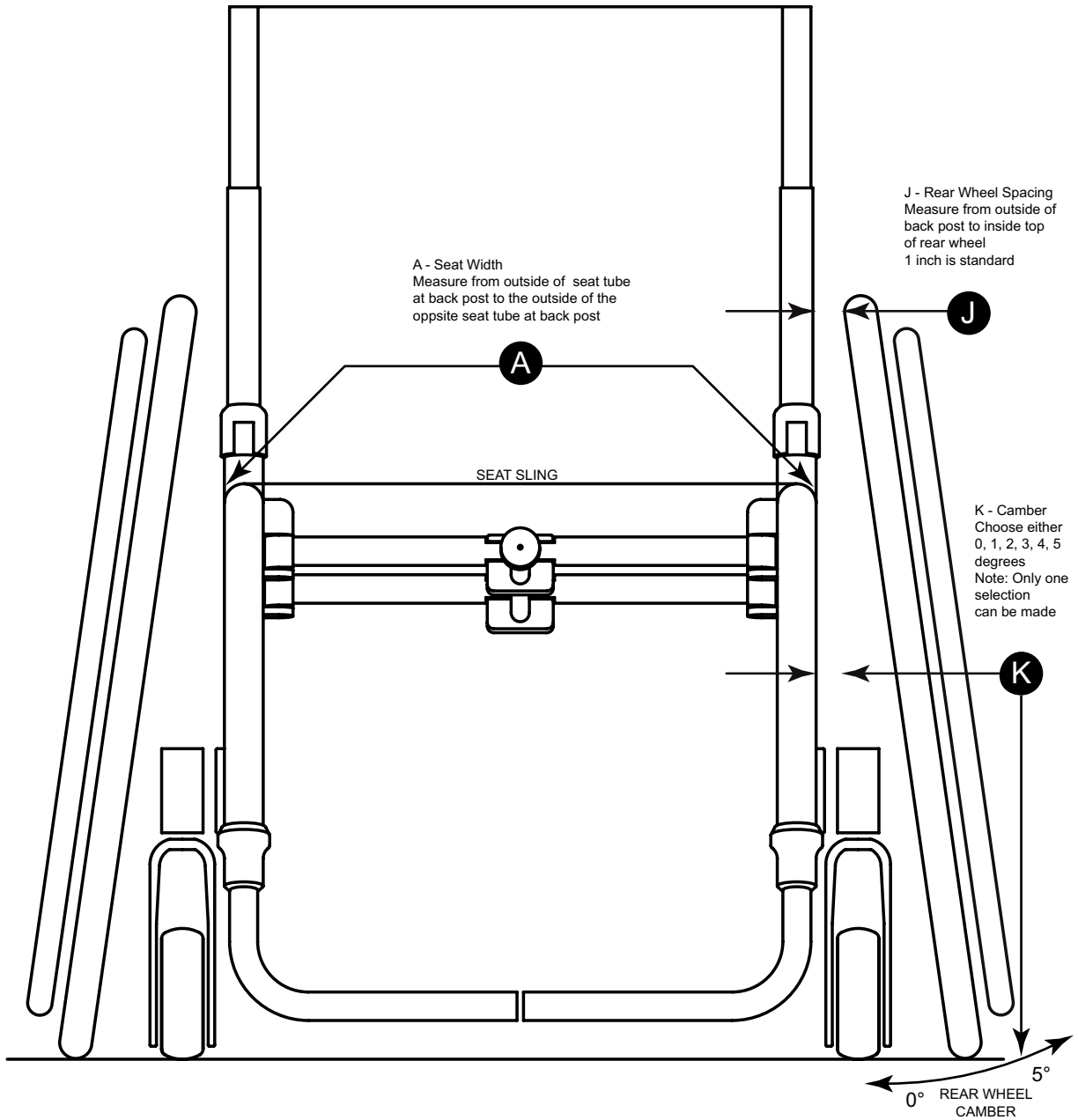
FYU-JON™



NISSIN
WHEELCHAIRS
...YOUR CHAIR IS HERE!

Effective Date SEP 2006







FYU-JON

Order Form Price List

Effective Date MAY 2007

Dealer Information		Ship To Information	
Account #		Ship Via	
Dealer Name		Name	
Order Date		Address	
Ordered By		City	State: Zip:
Phone		Phone	
Customer Name		Ship Date	Order# :

Customer Service (877) NISSIN7(647-7467) Fax (310)370-8454 www.nissinusa.net

FRAME MEASUREMENTS

- A SEAT WIDTH** (1 inch inc.) STD
10" 11" 12" 13" 14" 15" 16"
17" 18" 19" 20"
- B SEAT DEPTH** (1 inch inc.) STD
12" 13" 14" 15" 16" 17" 18"
- C FRONT SEAT HEIGHT** (1/2 inch inc.) STD
16" 16.5" 17" 17.5" 18"
- D REAR SEAT HEIGHT** (1/2 inch inc.) STD
14" 14.5" 15" 15.5" 16"
- E FRONT FRAME ANGLE** STD
75° 80° 85° 90°
- F FRAME LENGTH**
Short Medium Long
- G SEAT BACK HEIGHT** STD
12" 13" 14" 15" 16"
- H BACK ANGLE** 85° to 95° Adj - Choose setting STD
85° 86° 87° 88° 89° 90°
91° 92° 93° 94° 95°
Fold Down and Adjustable Angle \$150
- I CENTER OF GRAVITY** STD
1.5" 2"
- J REAR WHEEL SPACING** (1/4 inch inc.) STD
1" 1.25" 1.5"
- K REAR WHEEL CAMBER**
0° 3° 6° NCO
1° 2° 4° 5° \$150

CHAIR OPTIONS

- FYU - JON** \$2,800.00
- ARMRESTS**
 - Tubular Swingaway STD
 - Omit Armrests NCO
- FOOTRESTS**
 - Angle Adjustable Plastic Cover STD
 - Tubular Footrests NCO
- WHEEL LOCKS**
 - Scissor Lock STD
 - Push or Pull to Lock NCO
- CUSHION**
 - 2"High Density Foam w/Nylon Cover \$98
 - 3"High Density Foam w/Nylon Cover \$98
- SIDE GUARDS**
 - Plate Side Guards (Removable) STD
 - Fixed Side Guard \$150
 - Aluminum Cloth
 - No Side Guards NCO
- ACCESSORIES**
 - Push Handles NCO
 - Anti-Tips \$130
 - Frame Protectors \$30
 - Calf Strap STD
 - Universal Net \$50
 - Travel Wheels \$150
 - Seat Belt \$50

CHAIR OPTIONS

REAR WHEEL

- 22" Stainless Spoke Wheels (Spinergy WIRE) STD
- 22" Spinergy "LX" \$895
 - Black Red Yellow Blue White
- 24" Stainless Spoke Wheels (Spinergy WIRE) STD
- 24" Spinergy "LX" \$895
 - Black Red Yellow Blue White
- 24" Spinning Carbon Wheel \$900
 - Black White
- 25" Stainless Spoke Wheels (Spinergy WIRE) STD
- 25" Spinergy "LX" \$895
 - Black Red Yellow Blue White
- 26" Stainless Spoke Wheels (Spinergy WIRE) STD
- 26" Spinergy "LX" \$895
 - Black Red Yellow Blue White
- Omit Rear Wheels -\$50

REAR TIRES

- 22"(25-501)Panaracer (S) Gray STD
- 24"(20-540) Panaracer(S) Gray STD
- 24"(20-540) Panaracer(S) Blue NCO
- 24"(20-540) Panaracer(R) Red & Blue \$50
- 24"(25-540) PRIMO Slick NCO
- 24"(25-540) PRIMO Tread NCO
- 24"SHOX (SOLID TIRES) \$50
 - Black Red Yellow Blue
- 25"(20-540) Panaracer(R) Red & Blue \$50
- 25"(25-540) PRIMO Slick NCO
- 25"SHOX (SOLID TIRES) \$50
 - Black Red Yellow Blue
- 26"(20-540) Panaracer(R) Red & Blue \$50
- 26"(25-540) PRIMO Slick NCO
- Omit Rear Tires -\$10

HANDRINGS

- Aluminum Standard STD
- Aluminum Close NCO
- Plastic Coating Standard \$95
- Plastic Coating Close \$95
- Latex Coating Standard \$195
- Latex Coating Close \$195

FRONT WHEELS

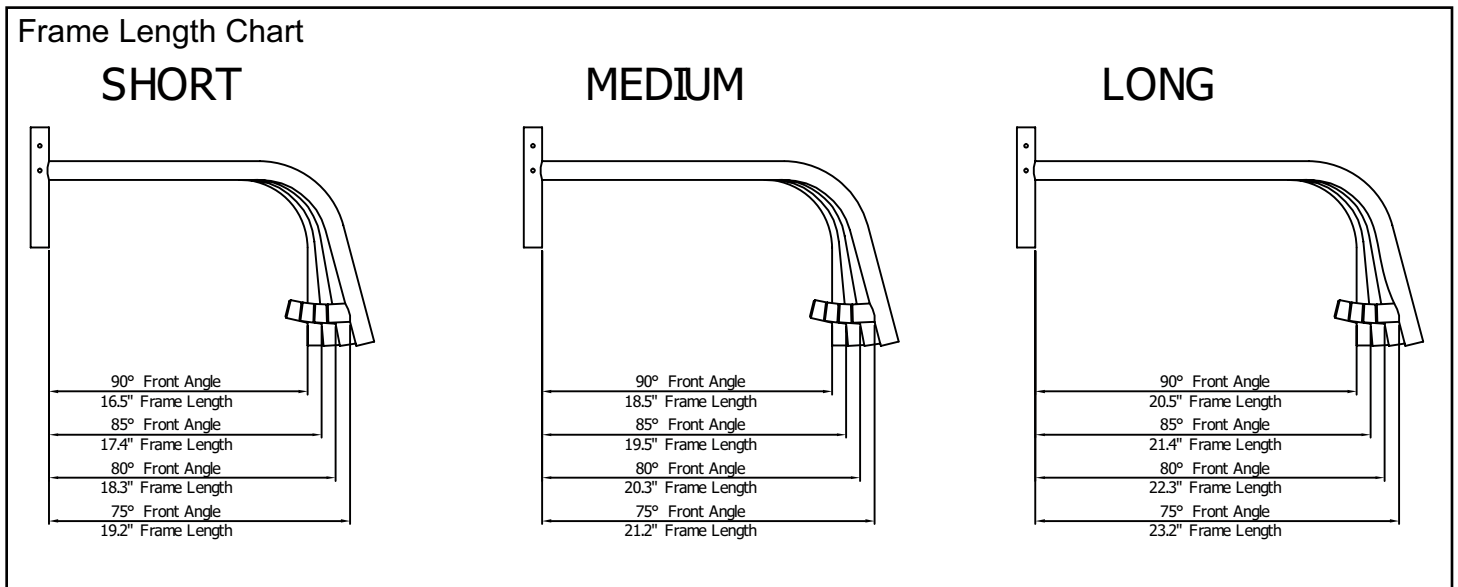
- 3"Poly NCO
- 4"Poly STD
- 4"Billet Aluminum with Poly \$100
- 4"Soft Roll NCO
- 4"Billet Aluminum with Soft Roll \$100
- 5"Soft Roll NCO
- 6"Soft Roll NCO
- Suspension Forks "SUSPENDO" \$495
 - Black Silver

FRAME COLOR

- Super White NCO
- Lime Green NCO
- Violet NCO
- Forest Green NCO
- Light Purple NCO
- Light Pink NCO
- Light Green NCO
- Light Blue NCO
- Dark Silver Metallic NCO
- Light Silver Metallic NCO
- Metallic Green NCO
- Pearl Blue NCO
- Ivory NCO
- Wine Red NCO
- Bright Orange NCO
- Pearl Yellow NCO
- Custom Colors \$100+

FOOTNOTES

1. Panaracer (S) is a low profile tire made with a standard compound that is ideally suited for everyday use.
2. Panaracer (R) is a low profile tire made with a softer compound ideally suited to be used for sports.
3. Some combinations of front and rear wheel sizes may not be possible due to the frame measurements you have chosen. Please consult your dealer.
4. Specifications are subject to change without prior notice



Nissin Wheelchairs USA
3551 Voyager St. Unit 102
Torrance, CA 90503

310-370-8484 office 310-370-8454 fax
(877) NISSIN7 toll free www.nissinusa.net